

Thermodynamic disc traps

The BV66 is a brand new line of compact and lightweight thermodynamic disc traps designed to efficiently discharge condensate on applications with working pressures up to 42 bar (609 psi). Disc trap completely made of Stainless Steel with integrated strainer. These simple, yet rugged, traps will provide economical long-term performance on drip leg, tracing, and process services.



Specifications

Size: 1/2", 3/4", 1"

End connections:

Threaded BSPP

Flange connections on request

Materials:

- Body: Stainless steel ASTM A743 (CA 40F)

- Cover: Stainless steel AISI 304

- Disc: Stainless steel AISI 420

- Strainer: Stainless steel AISI 304

- Strainer Cap: Stainless steel AISI 304

Maximum Operating Temperature: 400° C (752°F)

Operating Pressure: 42 bar g. (609 psig)

Maximum Back Pressure:

Must not exceed 80% of inlet pressure.

Design conditions:

63 bar g./400°C/Hidraulic test @ 95 bar g.

Installation:

Horizontal pipe for an appropriate use.

» **Easy in-line inspection and maintenance**

Simple one-piece thermodynamic cartridge which can be inspected and replaced without having to remove the steam trap from the line.

» **Single moving part**

Simple, yet effective design uses just one moving part to enhance minimal maintenance and long operating life.

» **All parts made in Stainless Steel**

Body material and trim are made in stainless steel. Besides, body surface is nickel plated to avoid oxidation.

» **High capacities**

Optimized porting configuration provides higher flow capacities than other cartridge designs.

» **Rugged design**

Withstands the effects of water hammer, vibration, and corrosive environments.

BV66

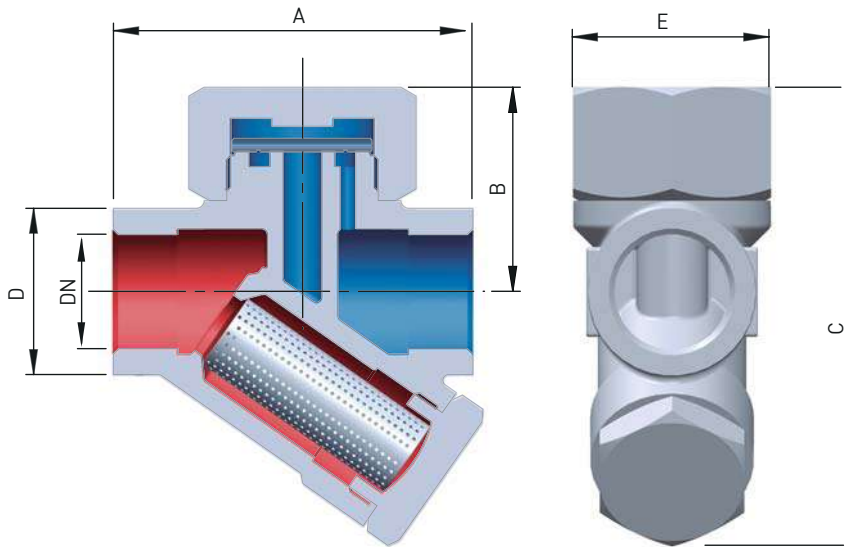
Max. operating temp. 400°C

Operating pressure 42 bar g

Stainless steel

ASTM A743 (CA 40F)

Dimensions and weight



DN	1/2"	3/4"	1"
A	78	78	95
B	39,2	39,2	54
C	93	93	121
D	34	34	44
E	41	41	52
Weight (Kg)	1,10	1,10	1,60

Dimensions in mm

Discharge capacities

Differential Pressure Bar-g	1/2"	3/4"	1"
0,7	151	339	476
0,8	155	341	484
1	161	352	502
2	203	401	623
3	239	452	701
4	261	502	798
6	342	594	923
8	403	651	1069
10	454	701	1236
15	576	803	1398
20	642	886	1502
25	701	901	1699
30	725	949	1753
42	804	1043	2018

Note: Discharge capacities in Kg/h with outlet pressure 0 bar.

Discharge capacity [kg/h]

