

BVALVE[®]

DIN Bellows sealed valves

Why our bellows sealed valves are the best in the market?

DIN bellows sealed valves have become highly popular in steam and thermal oil markets due to the mass consumption the industry demand has generated.

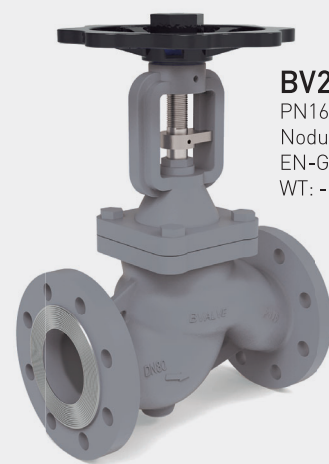
This increase in demand has led to a massive manufacturing of these valves at very low prices causing a drastic reduction in quality performance and therefore missing this valve's main target: being a maintenance free stop valve.

BVALVE however has avoided reducing our quality standards while maintaining our bellow sealed valves at **highly competitive prices**.

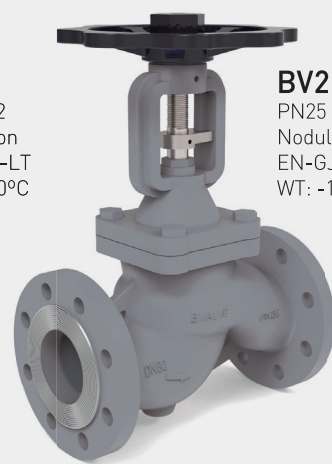
BVALVE Flow, Systems & Controls is pleased to introduce the **most technically advanced DIN/EN bellows sealed globe valve** in current market, its BV2506X.



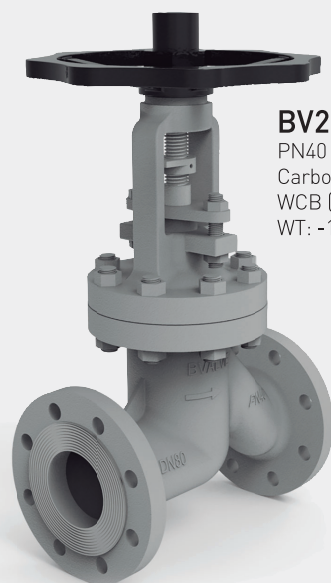
BV25061
PN16 EN 1902-2
Cast Iron
EN-JL 1040
WT: -10°C...+300°C



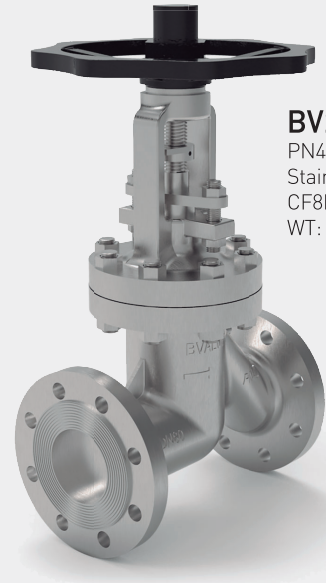
BV25064
PN16 EN 1902-2
Nodular Cast Iron
EN-GJS-400-18-LT
WT: -10°C...+350°C



BV25063
PN25 EN 1902-2
Nodular Cast Iron
EN-GJS-400-18-LT
WT: -10°C...+350°C



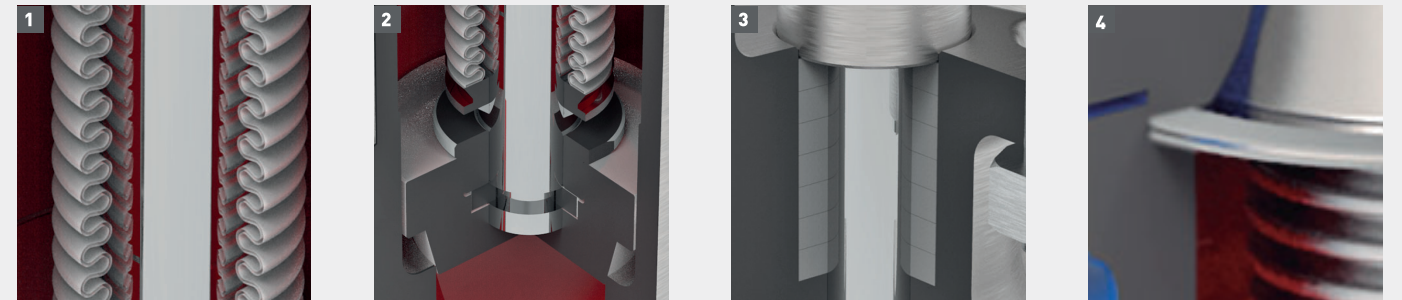
BV25065
PN40 EN 1902-1
Carbon steel
WCB (1.0619)
WT: -10°C ... +400°C



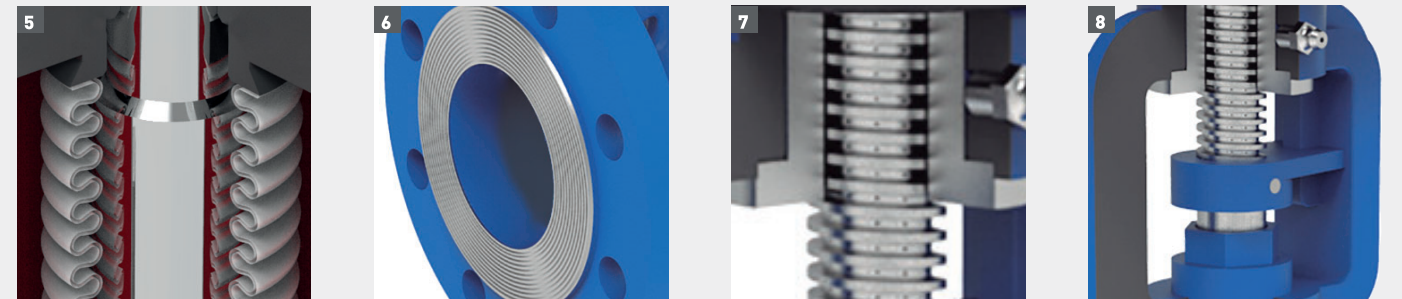
BV25066
PN40 EN 1902-1
Stainless Steel
CF8M (1.4408)
WT: -60°C ... +400°C

ZERO LEAKAGE!

Features of high quality bellows sealed valves

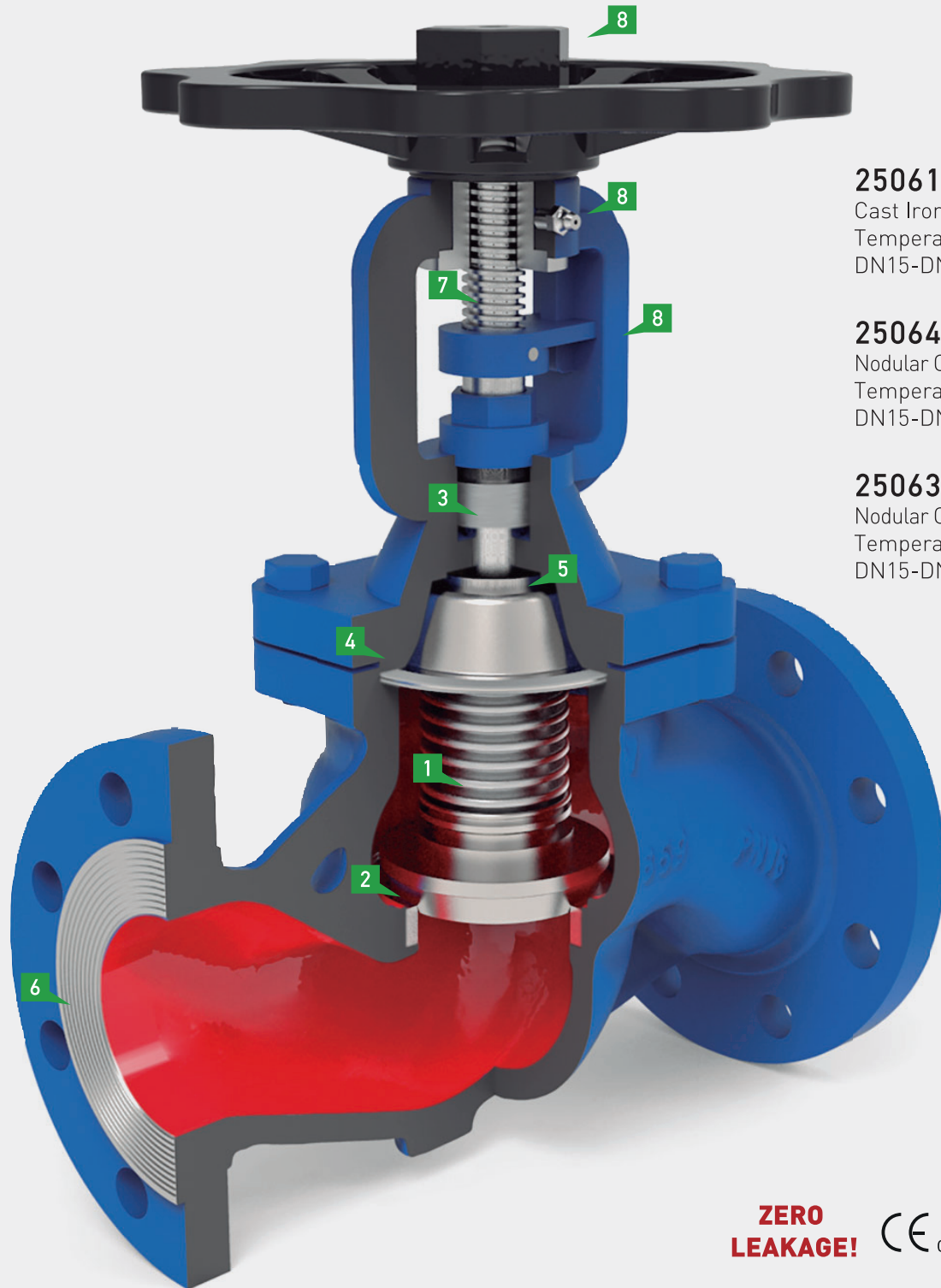


- 1. Multiple layer stainless steel bellows.** Double, triple and quadruple bellows wall depending on the size of the valve. Welded to the stem and not to the disc, preventing the transmission of vibrations and extending the life of the bellows. Secured against torque and designed to last for 30,000 operations.
- 2. Standard 360° free rotation and conical plug** provides a tighter closure while maintaining seat clean from shards. Both seat and plug are made out of hardened chromium steel 1.4021 or armored with stellite.
- 3. TA-LUFT certified** full size safety gland packing made of pure graphite together with our bellows, provide a fully reliable 0 leakage unit. Can also be supplied in PTFE if requested for chemical applications (PN40)
- 4. Stainless steel cam profiled bonnet gasket** coated with pure graphite, mounted in **tongue and grooved bonnet** flanges reinforces operating safety in case of leakage. Can also be supplied in PTFE if requested for chemical applications (PN40)



- 5. Non Ejectable Stem.** Stem includes mechanical stop which at the same time perform the function of locking metal to metal in the opened positions and hence prevent stems from being ejected due to process pressures, while guaranteeing a zero leakage in case of broken bellows. Meanwhile, mechanical stop adds robustness when valves are opened.
- 6. Flange faces with thin machining** acc. EN 1092, high quality cast iron and nodular cast iron, EN 10204 3.1 certificate available.
- 7. ACME Thick thread stem**
- 8. Easy handling:** Robust and ergonomic hand wheel. Lubricator and anti-friction bearings that eases the valve opening and closing. Robust yoke design and opening indicator that allows user to know in which opening / closing stage is the valve without having to operate it.

BVALVE DIN Bellows Sealed Valves



25061 PN16

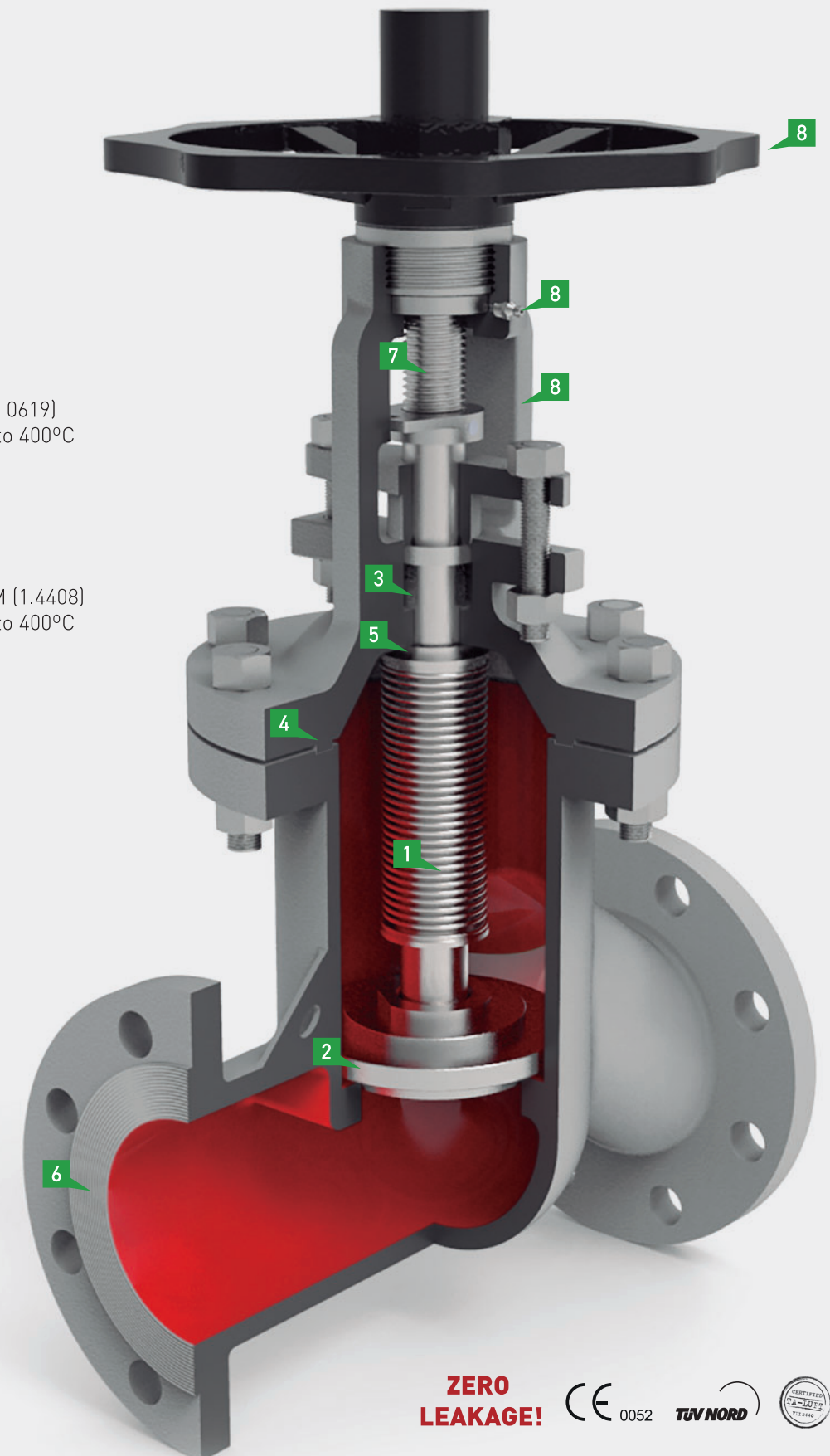
Cast Iron EN-JL 1040
Temperature -10°C to 300°C
DN15-DN300

25064 PN16

Nodular Cast Iron EN-GJS-400-18-LT
Temperature -10°C to 350°C
DN15-DN300

25063 PN25

Nodular Cast Iron EN-GJS-400-18-LT
Temperature -10°C to 350°C
DN15-DN200



25065 PN40

Carbon steel WCB (1 0619)
Temperature -10°C to 400°C
DN15-DN300

25066 PN40

Stainless Steel CF8M (1.4408)
Temperature -60°C to 400°C
DN15-DN300

ZERO LEAKAGE! CE 0052 TUV NORD

ZERO LEAKAGE! CE 0052 TUV NORD



www.thebellowssealedvalve.com
www.bvalve.es · export@bvalve.es