

BVALVE Gland packing globe valves

BVALVE Globe Valves include flanges designed according to EN 1092-2, face to face distance as per EN 558-1, ACME threaded stem screws and ground shafts.

Further premium characteristics include, safety stuffing box packing made of pure graphite.

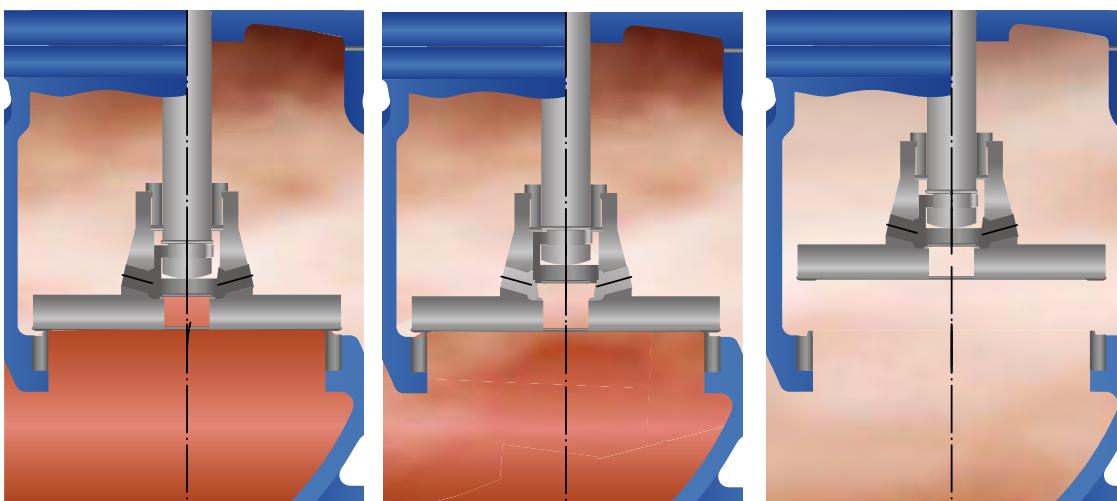
Body/bonnet compiled housed in tongue and grooved flanges. Besides, the plug has 360° free rotating configuration.



Standard balanced disc for DN250 and DN300

The use of balance disc is essential in case of high pressure to lighten the effort of valve manoeuvre. Over the limits shown in the table it is recommended to fit the valve in the opposite direction, i.e. With the pressure on the disc, obviously the balanced type.

BVALVE valves are equipped standard with balanced plug in sizes DN250 and DN300. This feature allows our valves to be operated under full rating pressure..16barg



Phase 1:

The valve is completely closed

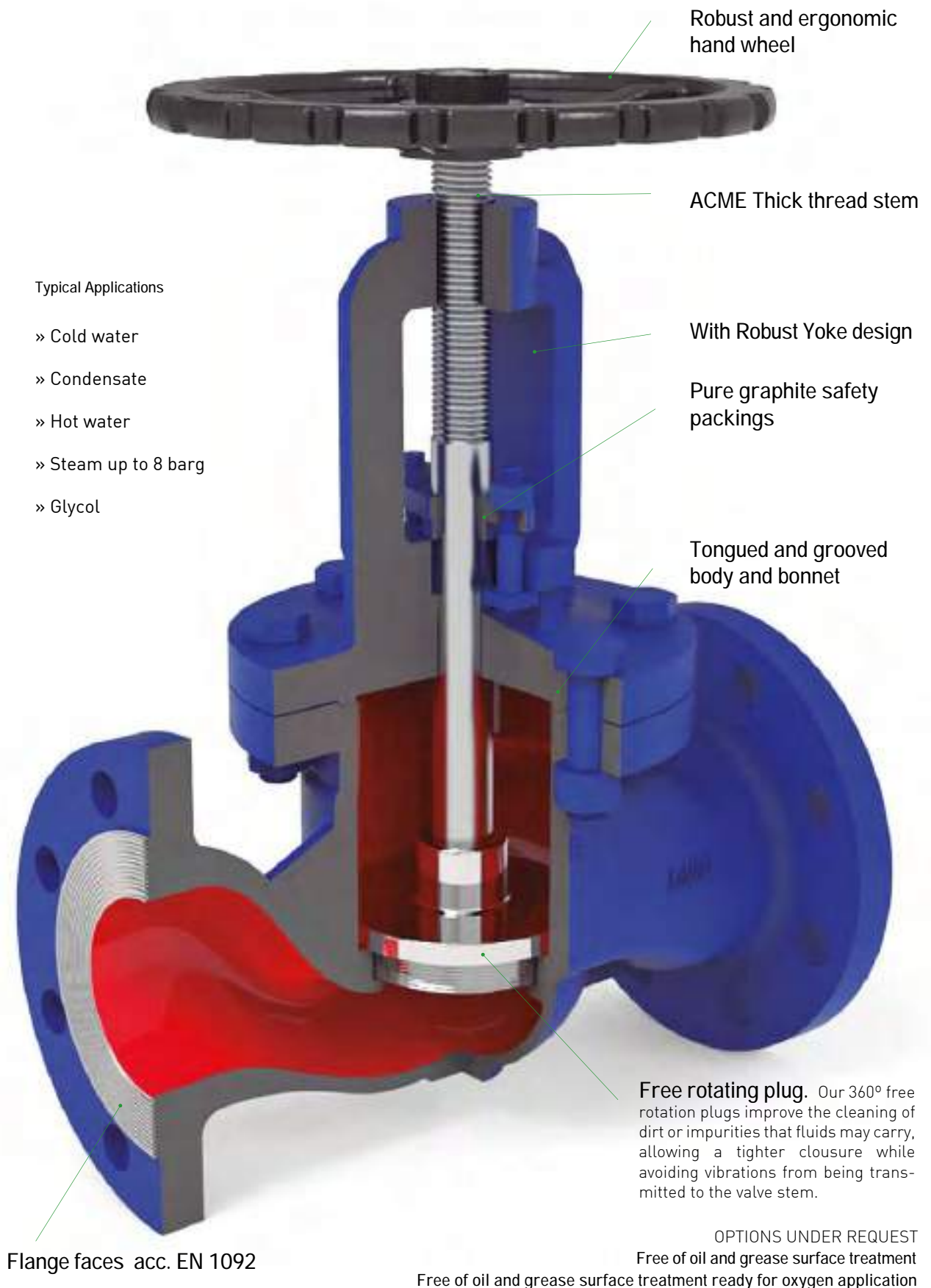
Phase 2:

The little/first disc opens and the pressure in the valve is balanced

Phase 3:

The valve is completely open.

Gland packing globe valves - Features



BV25060 | PN16 EN 1092-2

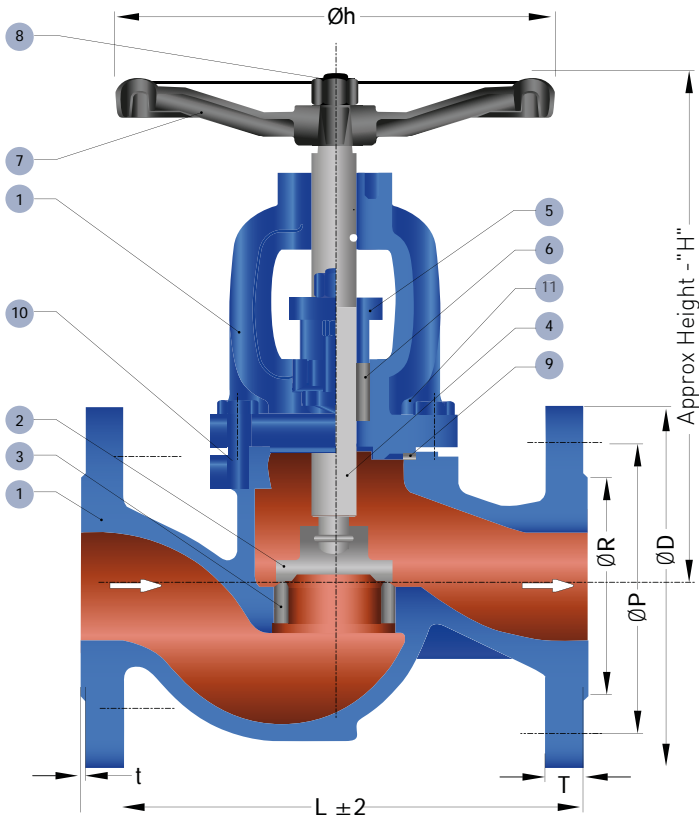
Cast Iron EN-JL-250

Temperature min. -10°C
 Temperature max. +200°C



Testing pressure in bar

Hydro	Body	24
	Seat	18
Air	Seat	07



N°	COMPONENT	MATERIALS
1	Body & Bonnet DN15-DN150 DN200-DN300	EN-GJL-250 (0.6025) EN-GJL-250 (0.6025)
2	Plug	A420 (1.4021)
3	Seat	A420 (1.4021)
4	Stem	A420 (1.4021)
5	Gland	GG20 (0.6020)
6	Packing	Expanded graphite
7	Hand Wheel	EN-GJS-450-10 (5.3107)
8	Hand Wheel Nut	C25 (1.0406)
9	Bonnet Gasket	C10E (1.1121) + expanded graphite
10	Bolt	C35 (1.0501)
11	Nuts	C25 (1.0406)

DN	PN	ØD (outer flange diameter)	ØP (Bolt circle)	ØR	T (FGL.THK)	t	NO.OF HOLE / Ø	L (Face to face)	Øh	STROKE	H (closed)	Weight (Kg)
15	16	95	65	46	14	2	4/Ø14	130	100	13	182	3,5
20	16	105	75	56	16	2	4/Ø14	150	100	12	174	4,0
25	16	115	85	65	16	3	4/Ø14	160	120	17	195	5,5
32	16	140	100	76	18	3	4/Ø19	180	140	20	236	8,0
40	16	150	110	84	18	3	4/Ø19	200	140	27	229	10,0
50	16	165	125	99	20	3	4/Ø19	230	200	39	241	14,0
65	16	185	145	118	20	3	4/Ø19	290	200	40	283	21,0
80	16	200	160	132	22	3	8/Ø19	310	240	52	323	28,0
100	16	220	180	156	24	3	8/Ø19	350	280	58	349	41,0
125	16	250	210	184	26	3	8/Ø19	400	360	61	411	60,0
150	16	285	240	211	26	3	8/Ø23	480	360	73	451	78,0
200	16	340	295	266	30	3	12/Ø23	600	400	80,5	495	122,0

all dimensions in mm.

WORKING CONDITIONS			
Temperature °C	-10/120	150	200
Pressure Bar	16	14,4	12,8

BV25060 | PN16 EN 1092-2

Nodular cast Iron EN-GJS-400-15

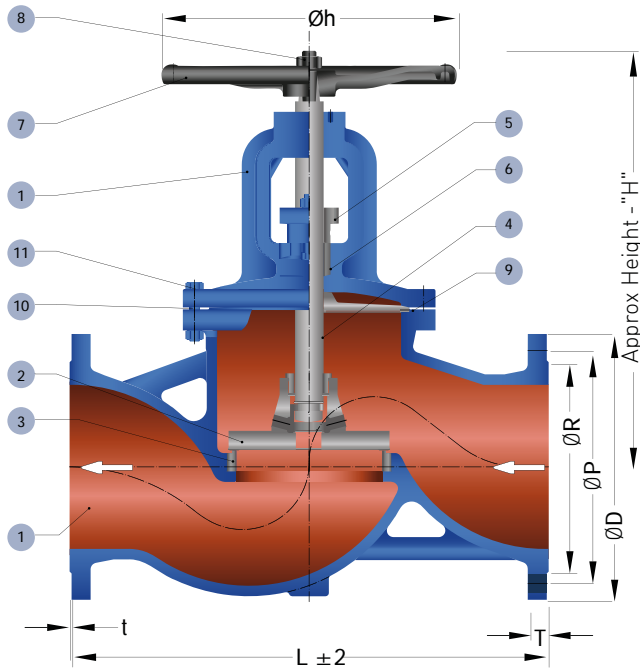
Temperature min. -10°C
 Temperature max. +200°C



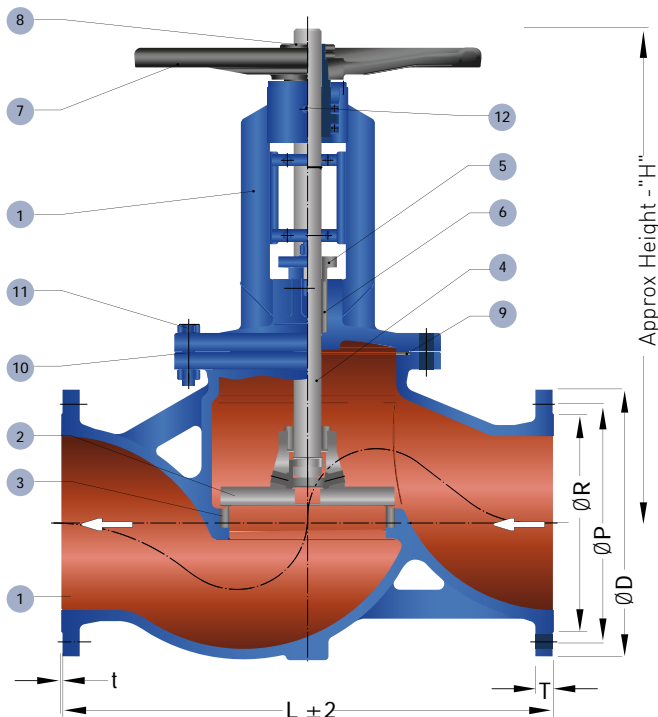
Testing pressure in bar

Hydro	Body	24
	Seat	18
Air	Seat	07

DN 250



DN 300



N°	COMPONENT	MATERIALS
1	Body & Bonnet	EN-GJS-400-15 (0.7040)
2	Plug	A105 (1.0482)
3	Seat	A420 (1.4021)
4	Stem	A420 (1.4021)
5	Gland	EN-GJS-450-10 (5.3107)
6	Packing	Graphite
7	Hand Wheel	EN-GJS-450-10 (5.3107)
8	Hand Wheel Nut	C25 (1.0406)
9	Bonnet Gasket	C10E (1.1121) + graphite
10	Bolt	C35 (1.0501)
11	Nuts	C25 (1.0406)
12	Grease nipple	Brass

DIMENSIONS		
DN	250	300
PN	16	16
ØD (outer flange diameter)	405	460
ØP (Bolt circle)	355	410
ØR	319	375
T (FGL.THK)	32	32
t	3	3
NO.OF HOLE / Ø	12xØ28	12xØ28
L (Face to face)	730	850
Øh	450	600
STROKE	106	130
H (closed)	639	863
Weight (Kg)	208,0	350,0

all dimensions in mm.

WORKING CONDITIONS			
Temperature °C	-10/120	150	200
Pressure Bar	16	14,4	12,8