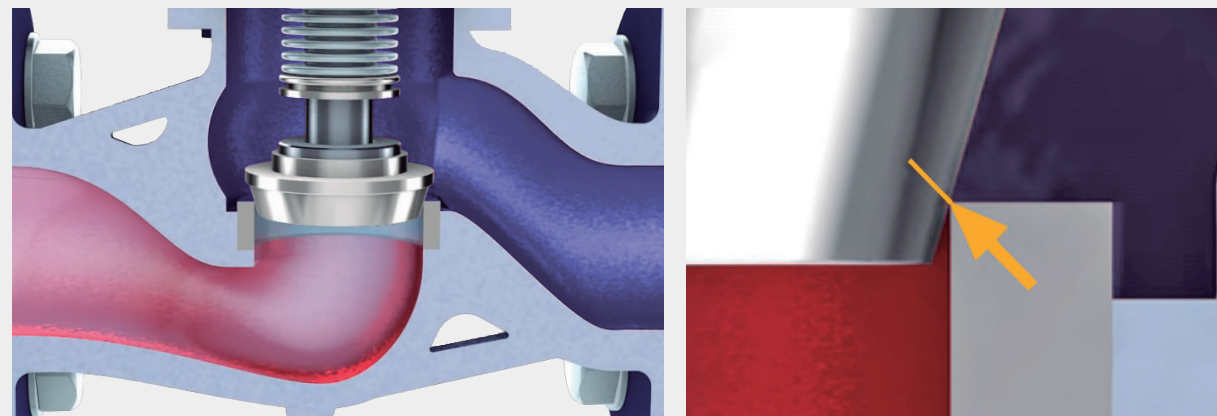


# **BVALVE®**

Bellows sealed globe valve  
Pneumatic actuated - DIN

## Pneumatic actuated bellows sealed globe valve

Pneumatic actuated bellows sealed globe valve, straight type, with flanges acc. EN 1092-1; coupled stem with burnished shaft. Multiplewall liquid contacted bellows made of stainless steel, with anti torque device, tested for 30.000 cycles. Metal back seat. Safety stuffing box packing made of pure graphite. Grooved bonnet gasket made of stainless steel 1.4571 with a coating of pure graphite on both sides, housed in a tongue and grooved flange. Fitted with pneumatic diaphragm actuator; operating spring closing or spring opening.



**FULL TIGHTNESS**  
IN METAL TO METAL SEATS  
Acc. to EN12266 RATE A

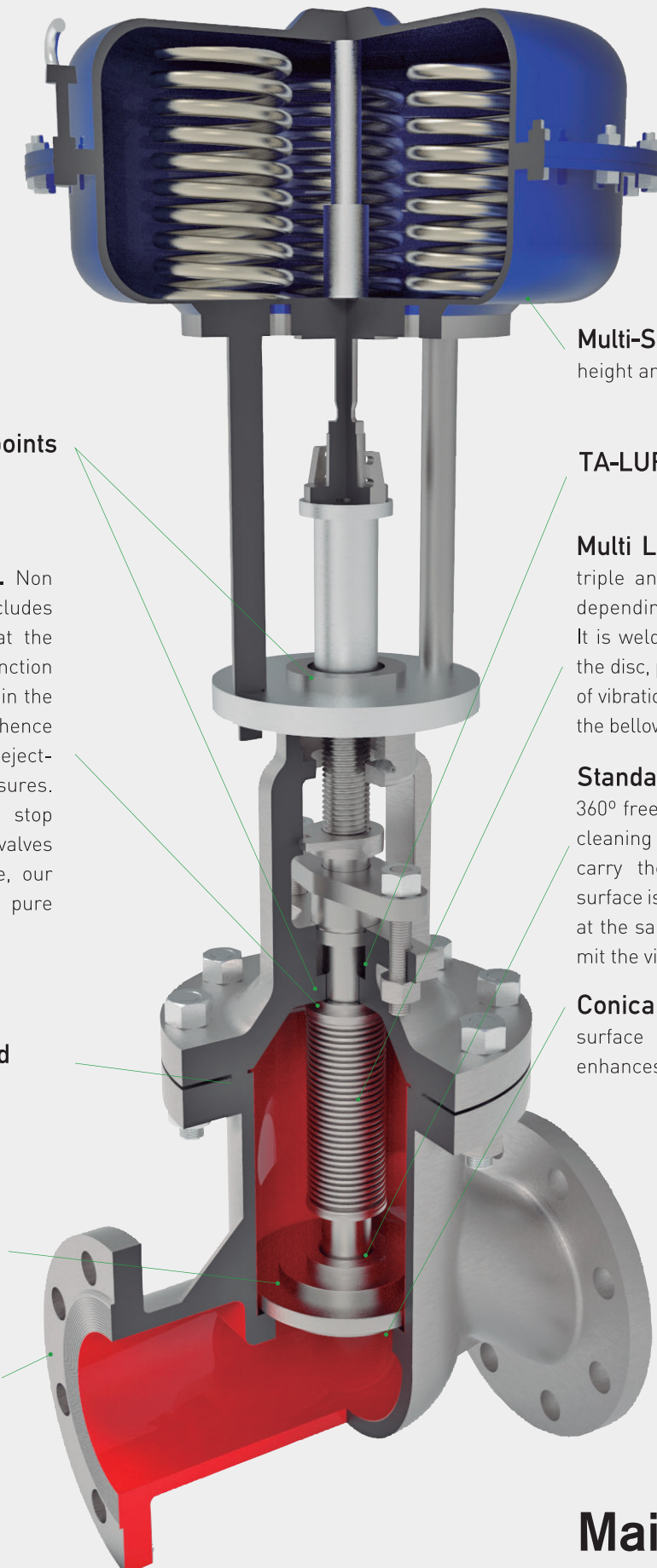
**Guided stem at two points**

**Non Ejectable Stem.** Non ejectable stems: Stem includes mechanical stop which at the same time perform the function of locking metal to metal in the opened positions and hence prevent stems from being ejected due to process pressures. Meanwhile, mechanical stop adds robustness when valves are opened. Furthermore, our valves are equipped with pure graphite safety packings.

**Tongued and grooved body and bonnet**

**Plug and seat hardfaced**

**Flange faces with thin machining acc. EN 1092,** high quality cast iron and nodular cast iron, EN 10204 3.1 certificate available



**Multi-Spring Actuator** Reduced height and weight

**TA-LUFT Packing**

**Multi Layer Bellows.** Double, triple and quadruple bellows wall depending on the size of the valve. It is welded to the stem and not to the disc, preventing the transmission of vibrations and extending the life of the bellows.

**Standard Free Rotating Plug** 360° free rotation disc, allowing the cleaning of impurities that may carry the fluid. Besides, closure surface is different in every cycle and at the same time, it does not transmit the vibrations to the valve stem.

**Conical Plug.** Lower contact surface between plug and seat enhances a tighter closure.

**Main features**



ATEX 2019/34/UE



CE 0052  
PED 2019/68/UE



2014/68/UE



HELIUM LEAKAGE TEST  
acc. VDI 2440



TA-LUFT  
VDI 2440



acc. API 607 5th

# Pneumatic actuated bellows sealed globe valve

## BV25065 AMA

PN40 EN 1092-1 DN15-300

Carbon steel WCB (1.0619)

Temp. -10°C to +400°C

(For temp. up to -60°C consult the manufacturer)

Working pressure acc.

**EN 1092 - 1**

Leakage acc. to

**EN12266-1 Rate A**

Face to face acc. to

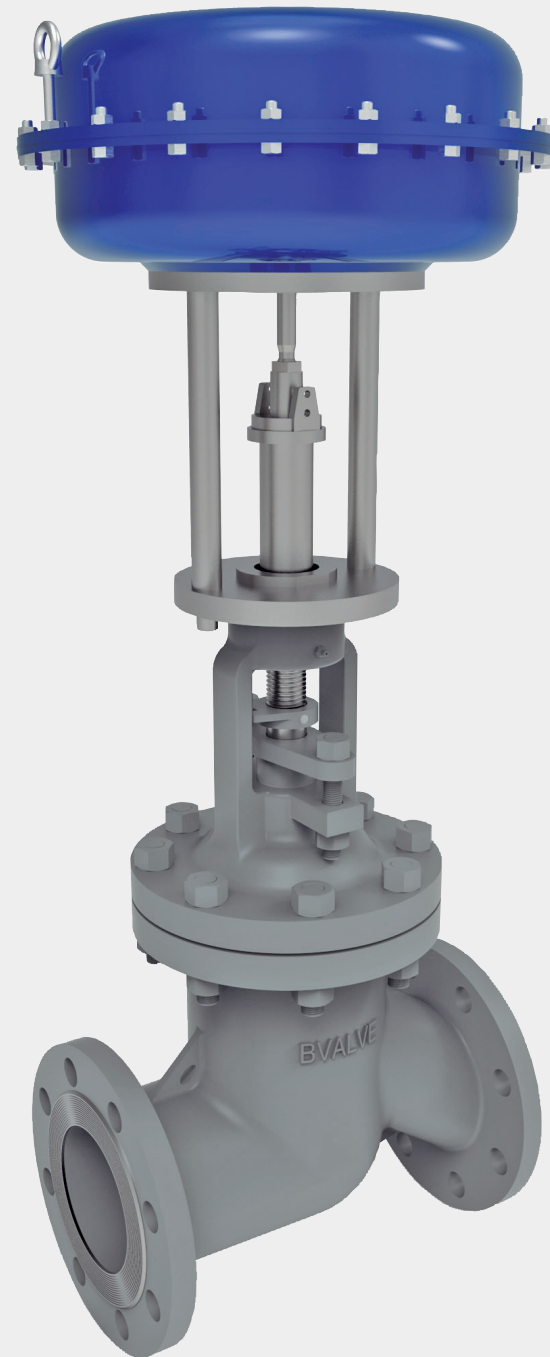
**EN558-1**

Flanges acc. to

**EN 1092-1 form B**

| Material           | Carbon Steel                                     |
|--------------------|--|
| Body               | 1.0619 / ASTM - A 216 Gr.WCB                     |
| Bonnet             | 1.0619 / ASTM - A 216 Gr.WCB                     |
| Plug               | ASTM - A 217 Gr.CA15 + 13% Cr. OVERLAY           |
| Integral seat      | ASTM - A 216 Gr.WCB [ 1.0619 ] + 13% Cr. OVERLAY |
| Bellow             | AISI - 321                                       |
| Bellow collar      | ASTM - A 276 TYPE 316                            |
| Stem               | ASTM - A 276 TYPE 410                            |
| Collar ring        | ASTM - A 276 TYPE 410                            |
| Top collar         | ASTM - A 276 TYPE 316                            |
| Gasket             | SPW - SS 304 + GRAPHITE                          |
| Packing            | GRAPHITE   |
| Gland bush /Flange | 1.0619 / ASTM - A 216 Gr.WCB                     |
| Gland stud & nut   | ASTM - A 193 Gr.B7 / A 194 Gr.2H                 |
| Actuator           | Steel  |

Regulating control plug on request



## BV25066 AMA

PN40 EN 1092-1 DN15-300

Stainless Steel CF8M (1.4408)

Temp. -60°C to +400°C

(For temp. up to -200°C consult the manufacturer)

Working pressure acc.

**EN 1092 - 1**

Leakage acc. to

**EN12266-1 Rate A**

Face to face acc. to

**EN558-1**

Flanges acc. to

**EN 1092-1 form B**

| Material           | Stainless Steel                                |
|--------------------|--|
| Body               | 1.4408 / ASTM - A 351 Gr.CF8M                  |
| Bonnet             | 1.4408 / ASTM - A 351 Gr.CF8M                  |
| Plug               | 1.4408 / ASTM - A 351 Gr.CF8M + Stellite Gr.6  |
| Integral seat      | 1.4408 / ASTM - A 351 Gr.CF8M + Stellite Gr.21 |
| Bellow             | 1.4571 / AISI - 316Ti                          |
| Bellow collar      | 1.4401 / ASTM - A 276 TYPE 316                 |
| Stem               | 1.4401 / ASTM - A 276 TYPE 316                 |
| Collar ring        | 1.4401 / ASTM - A 276 TYPE 316                 |
| Top collar         | 1.4401 / ASTM - A 276 TYPE 316                 |
| Gasket             | SPW - SS 316 + GRAPHITE                        |
| Packing            | GRAPHITE                                       |
| Gland bush /Flange | 1.4408 / ASTM - A 351 Gr.CF8M                  |
| Gland stud & nut   | ASTM - A193 Gr.B8M / A194 Gr.8M                |
| Actuator           | Steel  |

Regulating control plug on request



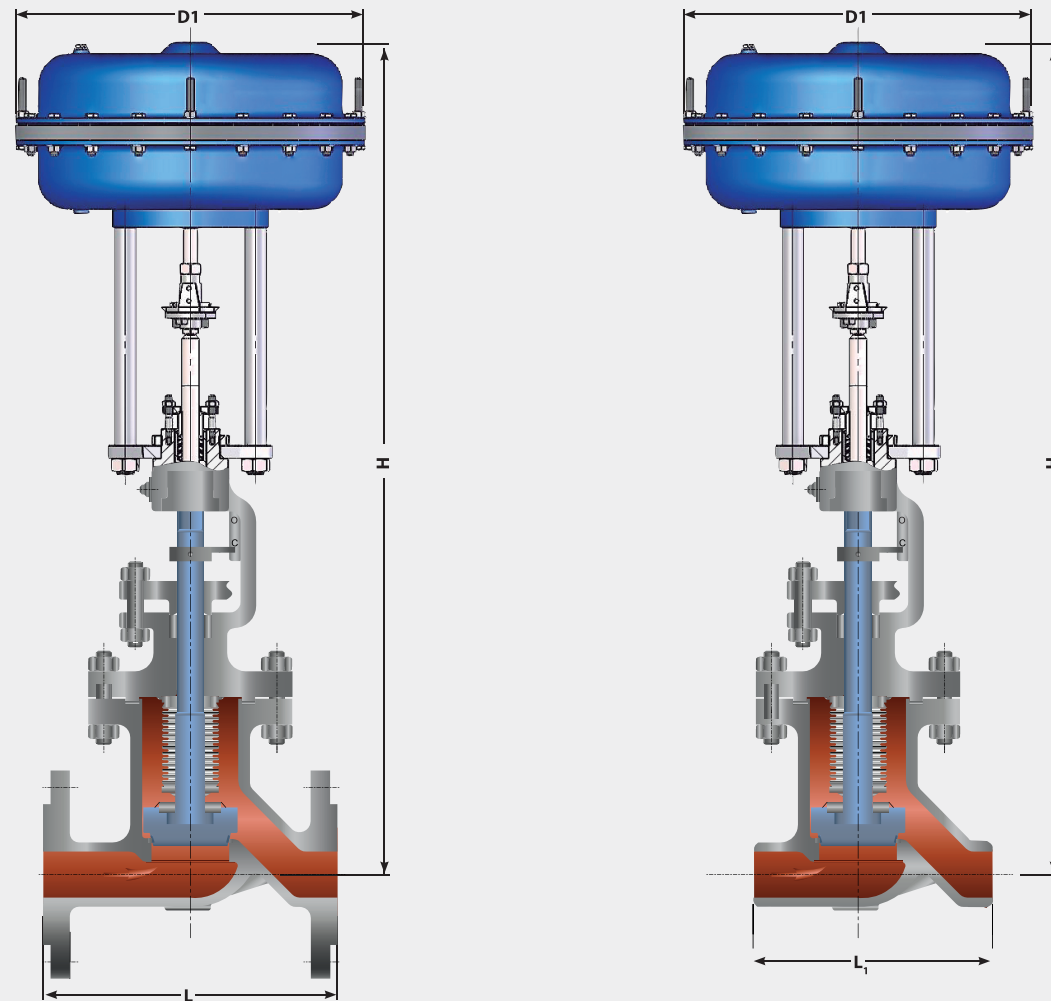
|              |                | WORKING CONDITIONS |      |      |      |      |      |      |  |
|--------------|----------------|--------------------|------|------|------|------|------|------|--|
| Carbon Steel | Temperature °C | -10/120            | 150  | 200  | 250  | 300  | 350  | 400  |  |
|              | Pressure Bar   | 40                 | 35,2 | 33,3 | 30,4 | 27,6 | 25,7 | 23,8 |  |

|                 |                | WORKING CONDITIONS |         |      |      |      |      |      |      |
|-----------------|----------------|--------------------|---------|------|------|------|------|------|------|
| Stainless Steel | Temperature °C | -60/-10            | -10/150 | 150  | 200  | 250  | 300  | 350  | 400  |
|                 | Pressure Bar   | 40                 | 40      | 36,3 | 33,7 | 31,8 | 29,7 | 28,5 | 27,4 |



# Pneumatic actuated bellows sealed globe valve

Dimensions



Closing pressures

| DN  | ACTUATOR           | Closing Pressure (bar g) |
|-----|--------------------|--------------------------|
| 15  | AMA PA35 B6 6S FC  | 40                       |
| 20  | AMA PA35 B6 6S FC  | 40                       |
| 25  | AMA PA35 B6 6S FC  | 40                       |
| 32  | AMA PA35 B6 6S FC  | 40                       |
| 40  | AMA PA35 B6 6S FC  | 40                       |
| 50  | AMA PA35 B6 6S FC  | 22,6                     |
| 50  | AMA PA60 A6 5S FC  | 40                       |
| 65  | AMA PA35 B6 6S FC  | 11,3                     |
| 65  | AMA PA60 A6 5S FC  | 31,6                     |
| 65  | AMA MA41 A6 8S FC  | 40                       |
| 80  | AMA PA35 B6 6S FC  | 6,9                      |
| 80  | AMA PA60 A6 5S FC  | 20,4                     |
| 80  | AMA MA41 A6 8S FC  | 30,6                     |
| 80  | AMA MA41 A6 14S FC | 40                       |
| 100 | AMA PA35 B6 6S FC  | 5,5                      |
| 100 | AMA PA60 A6 5S FC  | 10,5                     |
| 100 | AMA MA41 A6 8S FC  | 21                       |

| DN  | ACTUATOR           | Closing Pressure (bar g) |
|-----|--------------------|--------------------------|
| 100 | AMA MA41 A6 14S FC | 37                       |
| 125 | AMA PA60 A6 5S FC  | 2                        |
| 125 | AMA MA41 A6 8S FC  | 8                        |
| 125 | AMA MA41 A6 14S FC | 18,5                     |
| 125 | AMA MA60 G6 16S FC | 35                       |
| 150 | AMA PA60 A6 5S FC  | 1                        |
| 150 | AMA MA41 A6 14S FC | 11,5                     |
| 150 | AMA MA41 C6 04S FC | 13,5                     |
| 150 | AMA MA60 G6 16S FC | 23                       |
| 150 | AMA MA60 D6 8S FC  | 36                       |
| 200 | AMA MA41 B6 14S FC | 4,5                      |
| 200 | AMA MA41 C6 04S FC | 6,5                      |
| 200 | AMA MA60 G6 16S FC | 10                       |
| 200 | AMA MA60 D6 8S FC  | 15,5                     |
| 250 | AMA MA41 C6 04S FC | 2,5                      |
| 250 | AMA MA60 D6 8S FC  | 9                        |
| 300 | AMA MA60 D6 8S FC  | 5                        |

| DN  | L   | L <sub>1</sub> | AMA PA35 B6 | AMA PA60 A6 | AMA MA41 A6 | AMA MA41 B6 | AMA MA41 C6 | AMA MA60 D6 | AMA MA60 G6 |
|-----|-----|----------------|-------------|-------------|-------------|-------------|-------------|-------------|-------------|
|     |     |                | D1: Ø210    | D1: Ø310    | D1: Ø420    | D1: Ø420    | D1: Ø420    | D1: Ø600    | D1: Ø600    |
|     |     |                | H           | H           | H           | H           | H           | H           | H           |
| 15  | 130 | 130            | 513         | -           | -           | -           | -           | -           | -           |
| 20  | 150 | 130            | 515         | -           | -           | -           | -           | -           | -           |
| 25  | 160 | 130            | 542         | -           | -           | -           | -           | -           | -           |
| 32  | 180 | 160            | 544         | -           | -           | -           | -           | -           | -           |
| 40  | 200 | 180            | 566         | -           | -           | -           | -           | -           | -           |
| 50  | 230 | 210            | 592         | 635         | -           | -           | -           | -           | -           |
| 65  | 290 | 290            | 642         | 685         | 756         | -           | -           | -           | -           |
| 80  | 310 | 310            | 666         | 709         | 780         | -           | -           | -           | -           |
| 100 | 350 | 350            | 746         | 789         | 860         | -           | -           | -           | -           |
| 125 | 400 | 400            | -           | 856         | 927         | -           | -           | -           | 1.136       |
| 150 | 480 | 480            | -           | 918         | 989         | -           | 1.192       | 1.394       | -           |
| 200 | 600 | 600            | -           | -           | -           | 1.125       | 1.300       | 1.502       | 1.306       |
| 250 | 730 | 730            | -           | -           | -           | -           | 1.468       | 1.670       | -           |
| 300 | 850 | 850            | -           | -           | -           | -           | -           | 1.880       | -           |

dimensions in mm

## Accessories

### Limit switch

For signalling the end-positions of the valve.  
- Mechanical electric limit switches  
- inductive limit switches

### Emergency handwheel

### Solenoid valves

### Air set

### Valve positioner

- pneumatic  
- electro-pneumatic





[www.thebellowssealedvalve.com](http://www.thebellowssealedvalve.com)  
[www.bvalve.es](http://www.bvalve.es) · [export@bvalve.es](mailto:export@bvalve.es)